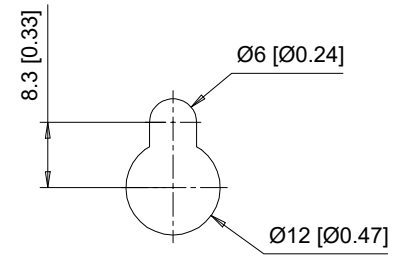
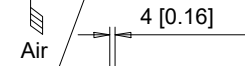


(4) Mounting Holes for M5 [#10] Screws. See Detail A for top mounting hole dimensions.

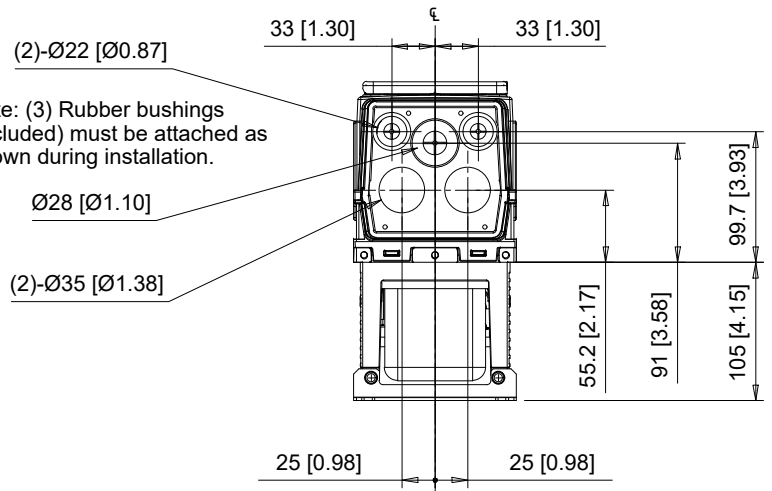
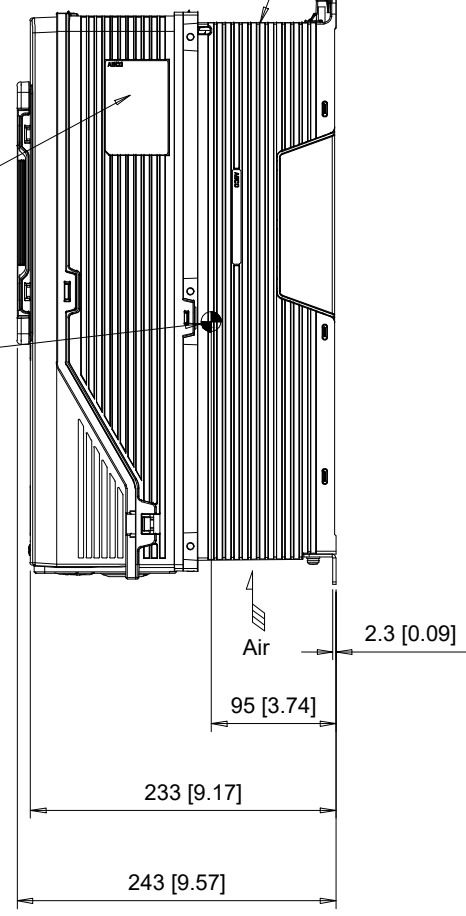
Nameplate

Center of Gravity  
Note: Dimensions shown are measured from the bottom left mounting hole

Cooling fan location



**Detail A**  
Top mounting hole dimensions  
Scale 1:1



Note: (3) Rubber bushings (included) must be attached as shown during installation.

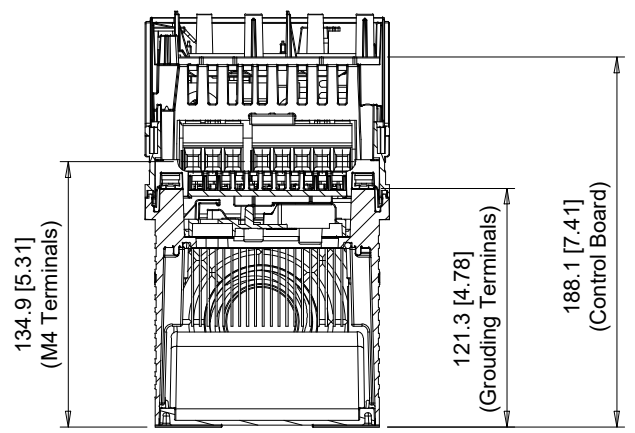
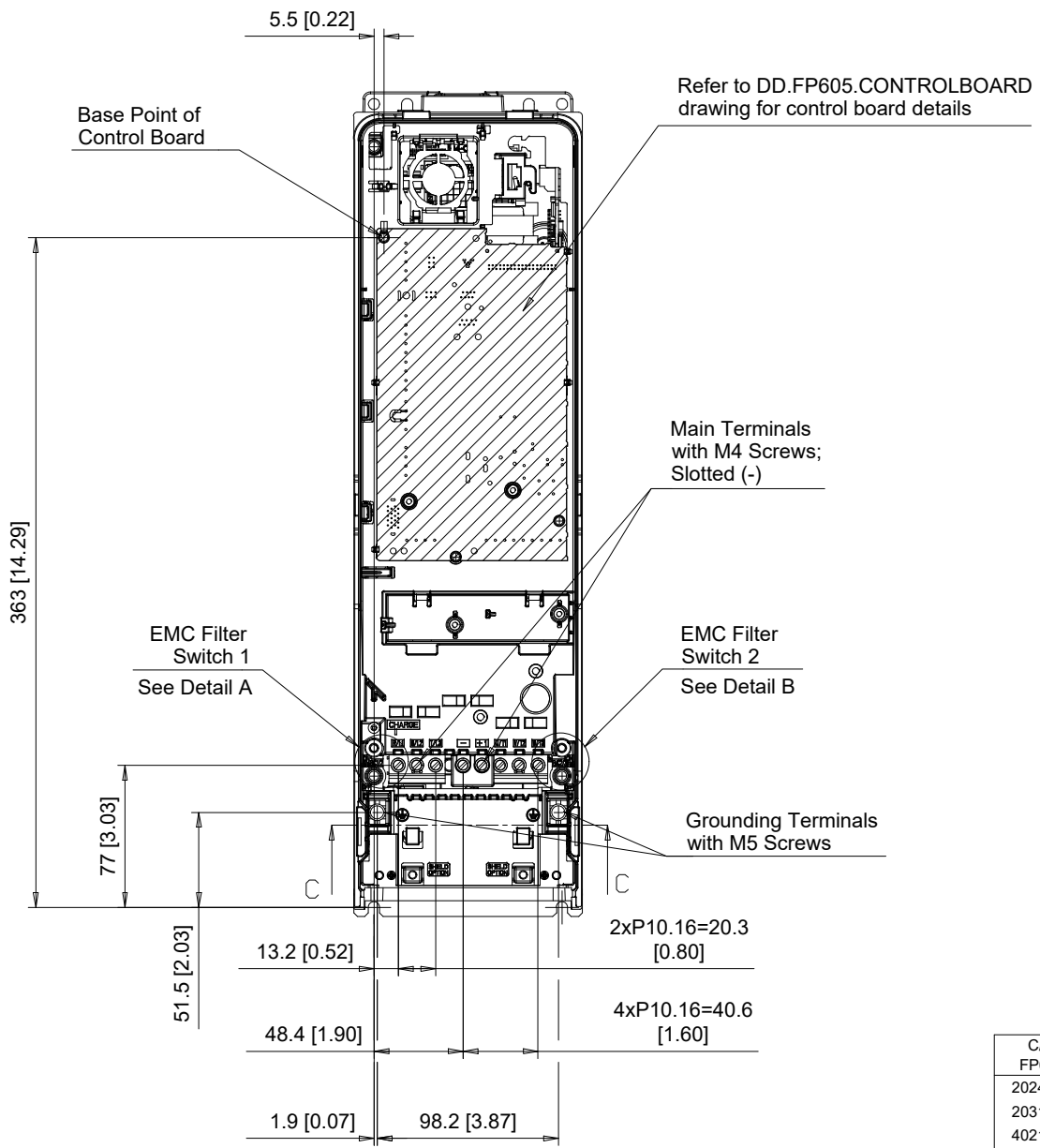
(2)-Ø22 [Ø0.87]

Ø28 [Ø1.10]

(2)-Ø35 [Ø1.38]

C/C: FP65□	INPUT VOLTAGE 3-PHASE (VAC)	WEIGHT Kg (lb)		COOLING FANS
		STANDARD	WITH EMC FILTER	
2024□□□	200 TO 240	7.5 (16.5)	8.5 (18.7)	1
2031□□□		8.0 (17.6)	9.0 (19.8)	1
4021□□□		8.5 (18.7)	9.5 (20.9)	1
4027□□□	380 TO 480	9.0 (19.8)	10.0 (22.0)	1
4034□□□		11.0 (24.3)	11.0 (24.3)	1

□ denotes A-Z



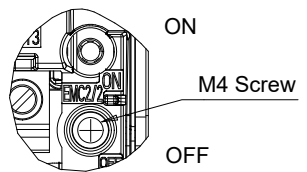
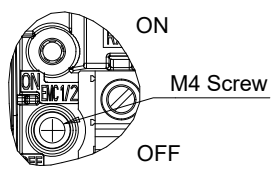
Section C-C

**EMC FILTER SWITCHES**

Note: EMC filter switches enabled only on models with built-in EMC filter

**EMC SW1**

**EMC SW2**



Detail A  
Scale 1:2

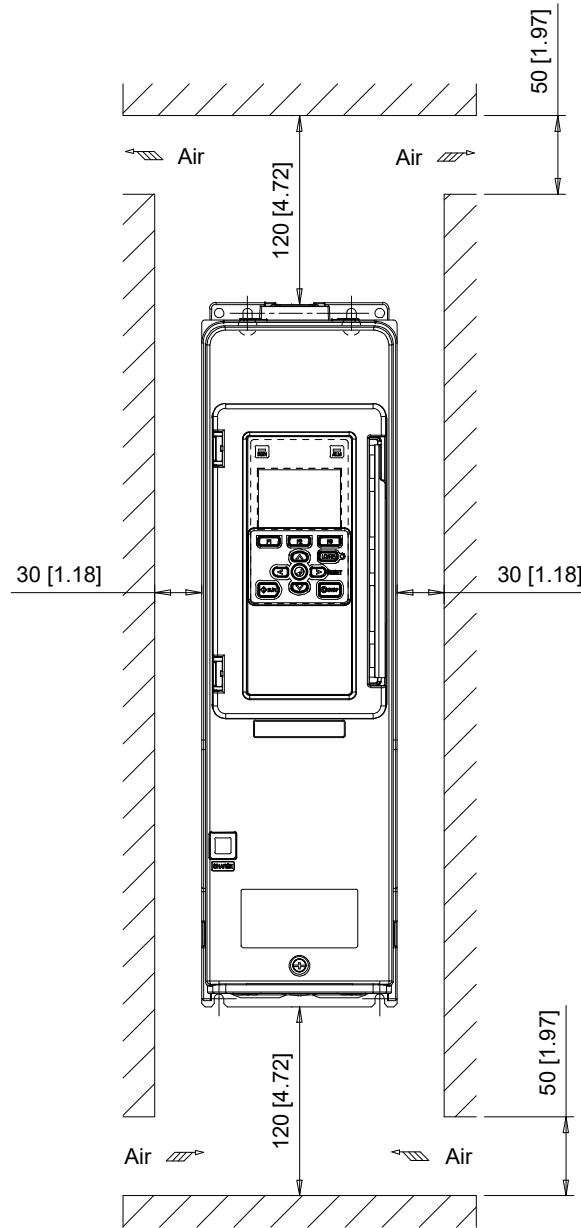
Detail B  
Scale 1:2

C/C: FP65□	TERMINAL SYMBOL	WIRE RANGE AWG (mm <sup>2</sup> )	TERMINAL SCREW	CLAMPING TORQUE N.m. (lb.in.)
2024□□□	R/L1, S/L2, T/L3	14 - 6 (2.5 - 16)	M4	1.7 (15)
2031□□□	U/T1, V/T2, W/T3	14 - 6 (2.5 - 16)	M4	1.7 (15)
4021□□□	-, +1	14 - 6 (2.5 - 16)	M4	1.7 (15)
4027□□□	⊕	14 - 8 (2.5 - 10)	M5	2.0 - 2.5 (18 - 22)
4034□□□				

□ Denotes A-Z

Note: Refer to applicable codes and standards for proper wire type and size.

Minimum Installation Clearances



Note:  
For alternate mounting configurations, consult manual.

**YASKAWA**

UNITS MM [IN]
SCALE 1:5

DRWN.	J. MATTAS	3-28-22
CHKD.	J. PIOTROWSKI	3-30-22
TECH.	L. UDDIN	4-3-22
APRV.	J. CAIRO	4-21-22

TITLE
FP605 DIMENSION DRAWING FRAME SIZE 2 IP55/UL TYPE 12 ENCLOSURE

SIZE A	PAGE 3 OF 3
DWG.NO.	DD.FP605.FR2.T12

REV
0